

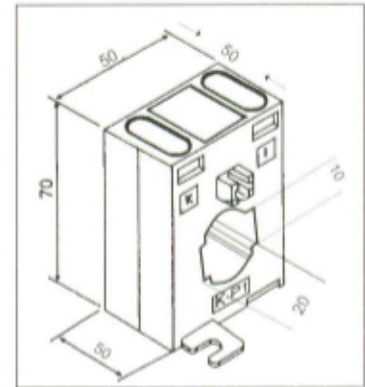


CURRENT TRANSFORMERS - CCT SERIES

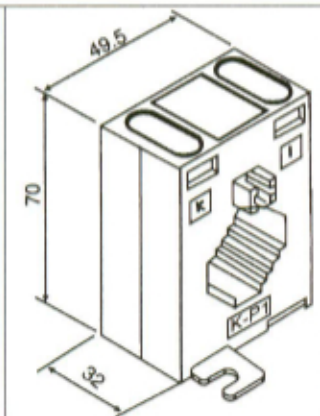
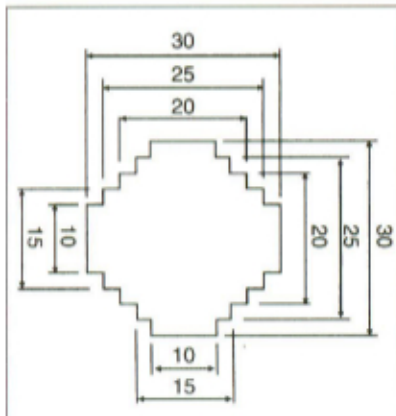
BUS BAR 20X10 mm



Ratio		1.5VA	2.5VA	5VA
50/5A	CLASS	1	1	-
60/5A	CLASS	1	1	-
75/5A	CLASS	1	1	-
80/5A	CLASS	1	1	-
100/5A	CLASS	1	1	1
125/5A	CLASS	1	1	1
150/5A	CLASS	1	1	1
200/5A	CLASS	1	1	1
250/5A	CLASS	1	1	1
300/5A	CLASS	1	1	1



BUS BAR 30X10 mm



Ratio		1VA	2.5VA	5VA	7.5VA
75/5A	CLASS	3	-	-	-
80/5A	CLASS	3	-	-	-
100/5A	CLASS	1	-	-	-
125/5A	CLASS	1	-	-	-
150/5A	CLASS	1	3	3	-
200/5A	CLASS	-	1	3	-
250/5A	CLASS	-	1	3	-
300/5A	CLASS	-	1	3	3
400/5A	CLASS	-	-	1	3
500/5A	CLASS	-	-	1	3
600/5A	CLASS	-	-	1	3



BUS BAR 40X10 mm



Ratio		2.5VA	5VA	10VA
150/5A	CLASS	1	-	-
200/5A	CLASS	1	-	-
250/5A	CLASS	1	3	-
300/5A	CLASS	1	3	-
400/5A	CLASS	-	1	3
500/5A	CLASS	-	0.5	1
600/5A	CLASS	-	0.5	1
750/5A	CLASS	-	0.5	1
800/5A	CLASS	-	0.5	1

